



Features

- Available in 28 finishes including 13 PVD finishes
- All brass construction including sprayhead
- 360° rotating spout with magnetic sprayhead docking
- One button control for aerated or spray stream
- Spray jets have easy-to-clean surface
- Quiet polymer-braided hose with rotating joint
- Ceramic disc cartridge
- Max flow rate: 1.8 gpm (6.8 L/min)

Codes/Standards Applicable

Product meets or exceeds the following:

- ASME A112.18.1/CSA B125.1
- NSF 61, NSF 372, CEC, & DOE
- Commonwealth of MA
- ADA compliant

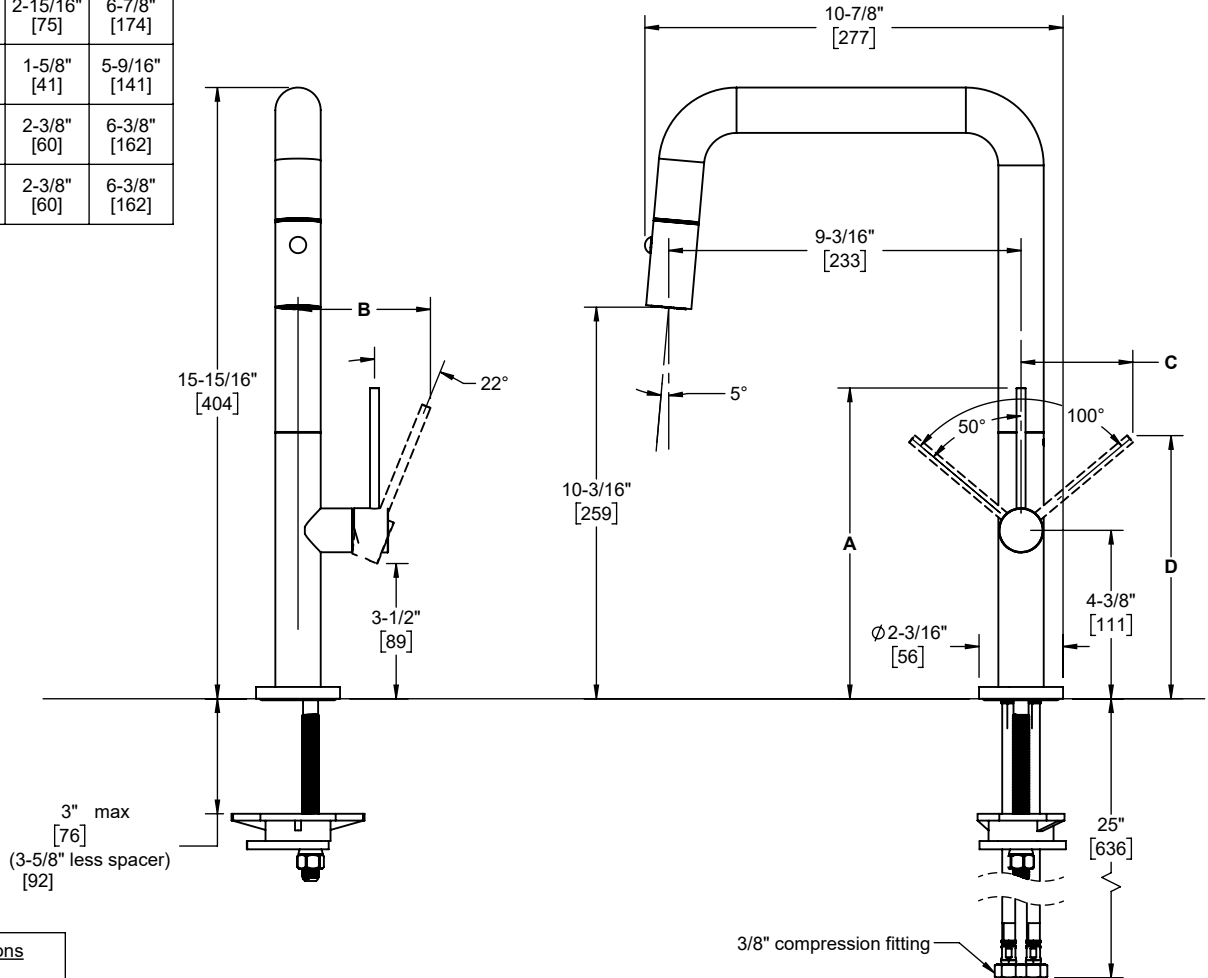


K50-103-ST-SN shown



XX = Denotes handle style

Handle Style	A	B	C	D
ST BST	8-1/16" [206]	3-7/16" [87]	2-15/16" [75]	6-7/8" [174]
SST BSST	6-7/16" [164]	2-13/16" [71]	1-5/8" [41]	5-9/16" [141]
FB BFB	7-1/16" [180]	3-3/8" [86]	2-3/8" [60]	6-3/8" [162]
RB BRB	7" [177]	2-15/16" [74]	2-3/8" [60]	6-3/8" [162]



Through-Hole Specifications		
Min	Recommended	Max
Ø 1-1/4" [32]	Ø 1-3/8" [35]	Ø 1-9/16" [40]