



# Brazn™ Rectangle

Undermount bathroom sink  
**K-21058**

## Features

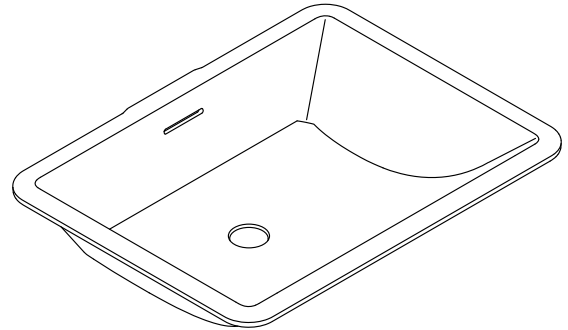
- No faucet holes; requires wall- or counter-mount faucet.
- With overflow.
- Rectangular basin.

## Material

- Vitreous china.

## Installation

- Undermount.



ADA

CSA B651

OBC

## Codes/Standards

ASME A112.19.2/CSA B45.1

ADA

ICC/ANSI A117.1

CSA B651

OBC

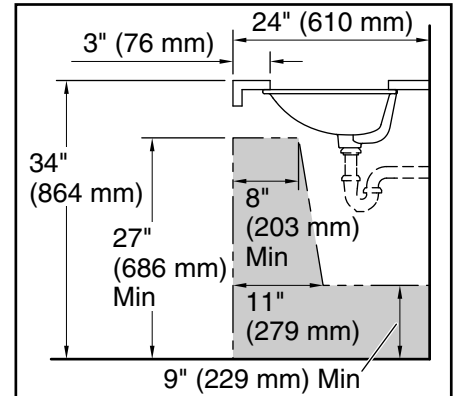
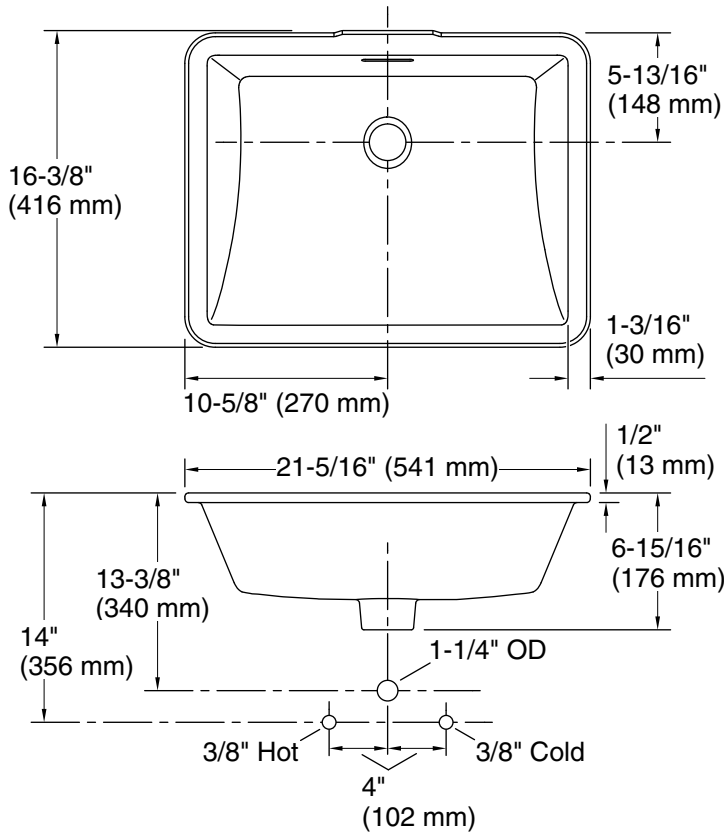
## KOHLER® One-Year Limited Warranty

See website for detailed warranty information.

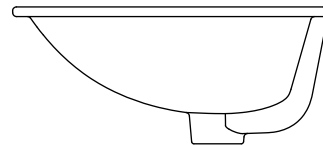


# Brazn™ Rectangle

Undermount bathroom sink  
K-21058



Recommended ADA Installation



## Technical Information

All product dimensions are nominal.

Installation: Undermount

Drain hole: 1-3/4" (45 mm)

## Notes

Install this product according to the installation instructions.

ADA, OBC, CSA B651 compliant when installed to the specific requirements of these regulations.