

DESCRIPTION

- Metal construction with various finishes identified by suffix
- Includes metal pop-up type waste assembly
- Includes optional 3 hole deck plate (escutcheon)
- Flexible supplies with 3/8" compression fittings

OPERATION

- Pivot action lever style handle
- Temperature controlled by 100° arc of handle travel

FLOW

- Aerator is limited to 1.2 gpm (5.7 L/min) at 60 psi

CARTRIDGE

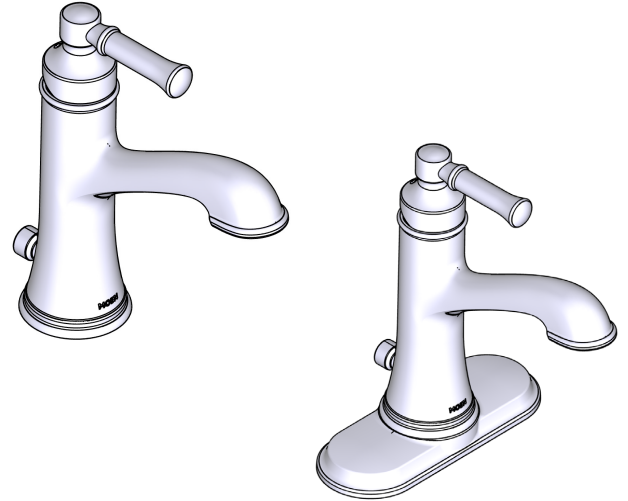
- 1255™ Duralast™ cartridge for Single-Handle Faucets

STANDARDS

- Third party certified at WaterSense®, ASME A112.18.1/CSA B-125.1 and all applicable specifications referenced therein
- Certified to NSF 61/9 & 372
- Complies with California Proposition 65 and with the Federal Safe Drinking Water Act

WARRANTY

- Lifetime limited warranty against leaks, drips and finish defects to the original consumer purchaser
- 5 year limited warranty when used in a commercial installations



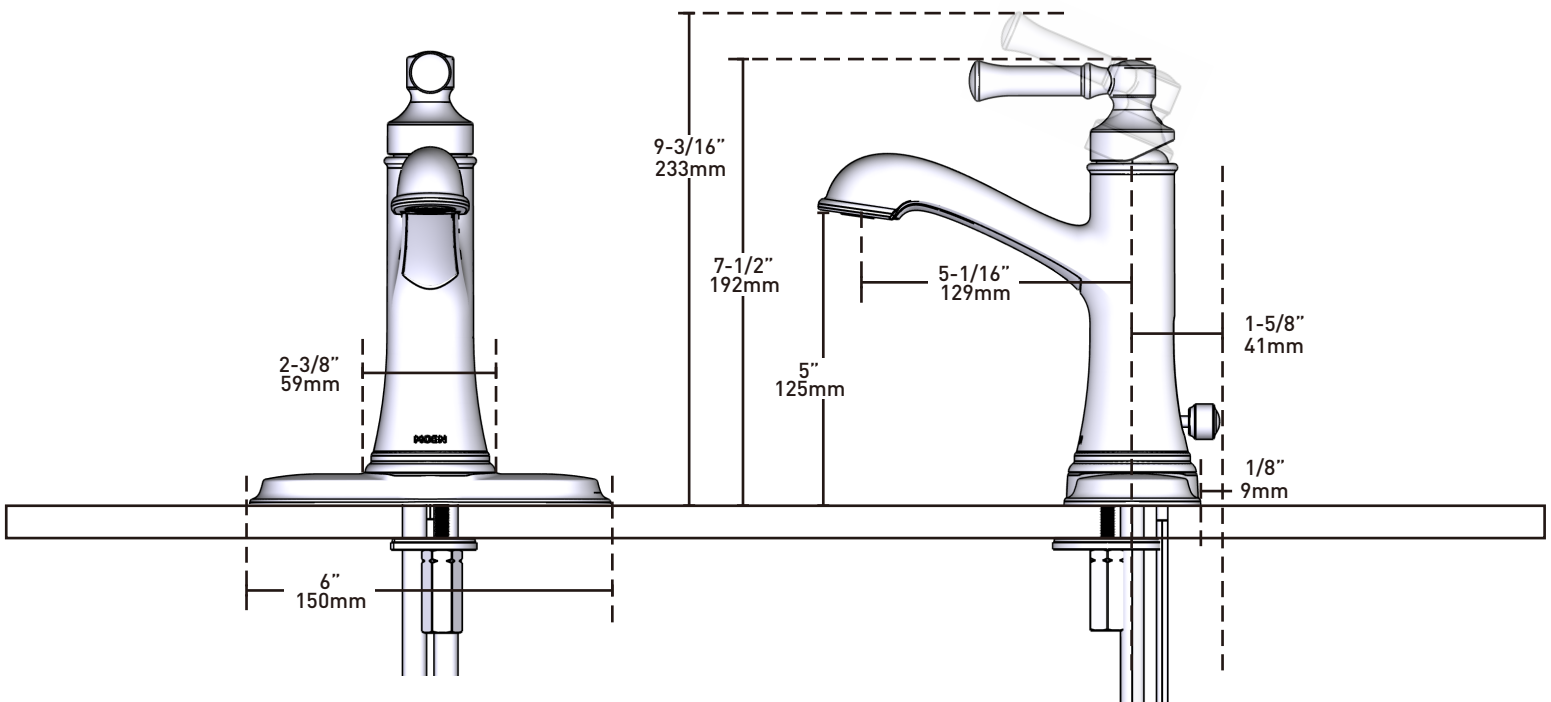
Dartmoor™

Single Handle Lavatory Faucet

MODELS: 6803 Series

NOTE:

THIS FAUCET IS DESIGNED TO BE INSTALLED THRU 1 HOLE,
1-1/8" MIN. DIA.



CRITICAL DIMENSIONS DO NOT SCALE