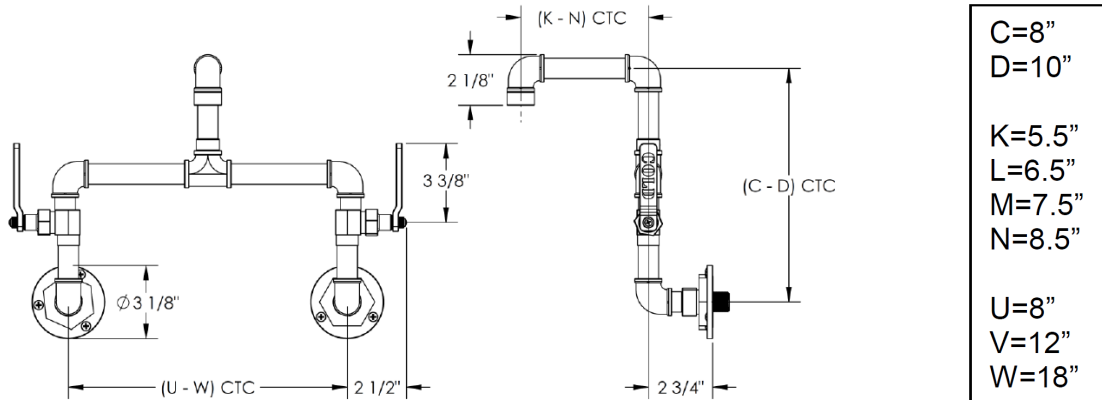


### FEATURES

- ¼ turn washerless ceramic disc valve cartridges
- Flexible hose connections
- Flow rate 1.5 gpm (5.7 lpm) maximum flow rate
- Solid brass construction
- Warranty:
  - Limited lifetime warranty (residential use)
  - One year (commercial use)
- Shipping weight (lbs.) 10
- Shipping dimensions (in.): 29x12x4



ITEM NO.	PART NUMBER	QTY.
3	SS-502-CRTG	2
6	38-7.7-BODY-ASSY	2
8	38-7.7-SPT-ASSY	1
10	38-2.3-ESC	2
11	EV4-LVR-H2	1
12	EV4-LVR-C2	1
13	EV4-POST-CAP	2
14	CR-PHMS 0.164-32x0.375x0.375-S	2
18	952-SMLL-GSKT	2
19	38-2.25-SPPLY-ADAP	2
20	38-2.25-FLNG	2
21	AS568 - 034	2
22	CR-OHMS 0.19-24x0.25x0.25-S	6
23	NEOPERL CACHE AERATOR	1
24	CV15 SHORT	2
25	38-2.25-FLNG-NUT	2
27	SWVL-PLSTC-BSHNG	1
28	AS568 - 013	2
29	SSCUPSKT 0.19-32x0.1875-HX-S	1

### IMPORTANT INSTALLATION INFORMATION

- USE TEFLON TAPE OR PIPE SEALANT FOR THREADED CONNECTIONS
- DO NOT USE PLUMBER'S PUTTY ON ANY OF THE BRASS COMPONENTS  
This will cause the finish to tarnish and void the warranty. A non-corrosive Alkoxy Silicone is recommended.
- DURING SWEATING OF LINES DO NOT OVERHEAT CASTING  
Overheating may cause damage to internal mechanism
- COPPER ADAPTORS MAY BE REQUIRED TO COMPLETE YOUR INSTALLATION

**For technical support, please call 718-257-2800**

