

WATERMARK

BROOKLYN, NEW YORK

Elan Vital

38-7-EV4

Deck Mounted, Two Handle Faucet

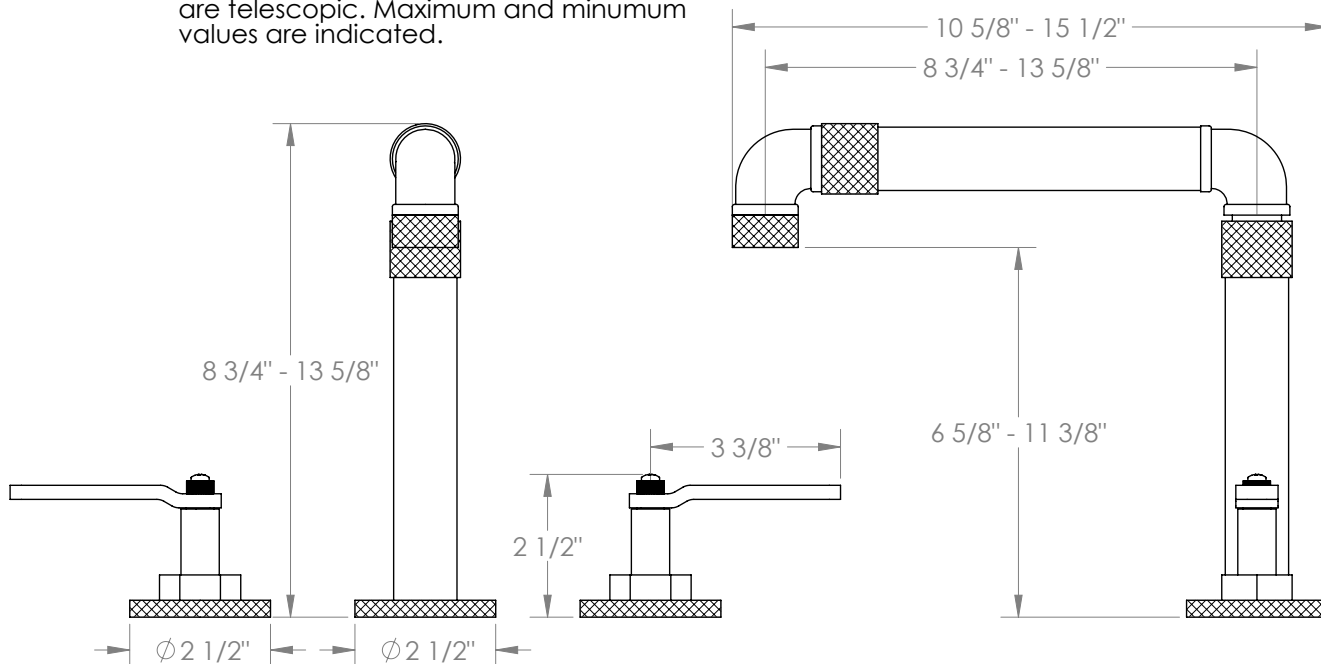


- Fits Deck Up To 3" Thick
- Recommended Mounting Hole: 1-3/8"
- All Lead-Free Brass Construction
- Flow Rate: 1.75 GPM
- 1/4 Turn Ceramic Cartridge
- 360° Rotating Spout
- Professional Installation Required
- Telescoping Spout with Adjustable Height and Projection

Available in all finishes shown on the [Watermark Designs website](#)



NOTE: Spout height and projection are telescopic. Maximum and minimum values are indicated.



Meets the applicable requirements of ASME A112.18.1-2005/CSA B125.1-05, entitled "Plumbing Supply Fittings".

Watermark Designs reserves the right to make revisions without notice to produce specifications. All product dimensions are nominal.

09/2023

350 Dewitt Ave. Brooklyn, NY 11207 USA | T: 1 718 257 2800 | F: 1 718 257 2144 | customerservice@watermark-designs.com