



California Faucets®

# Rincon Bay™

WALL LAVATORY

## Features

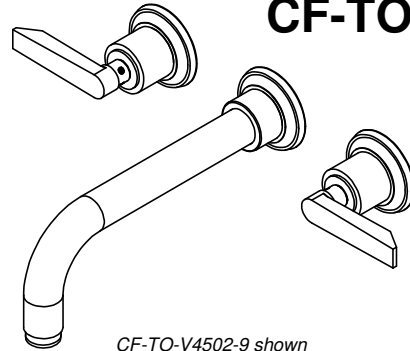
- 1.2 gpm (4.5 L/min) max flow rate
- Rough valve (CF-VL-R) sold separately
- Solid brass construction
- Over 30 finishes including 15 PVD finishes

## Codes/Standards

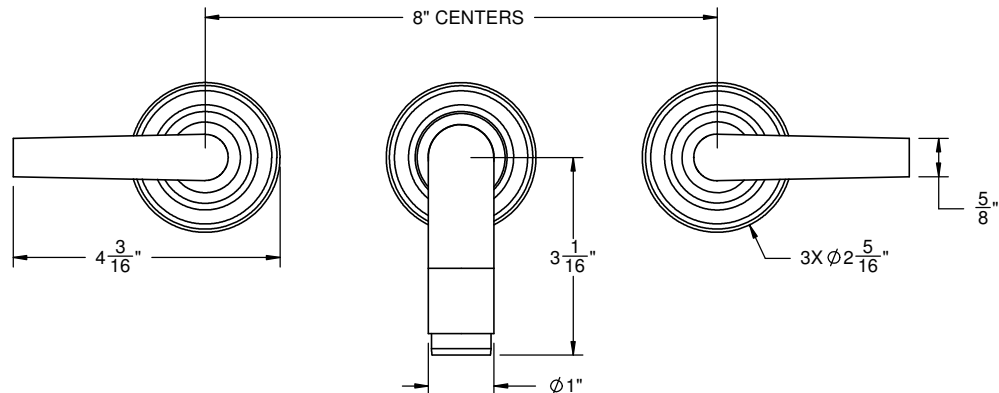
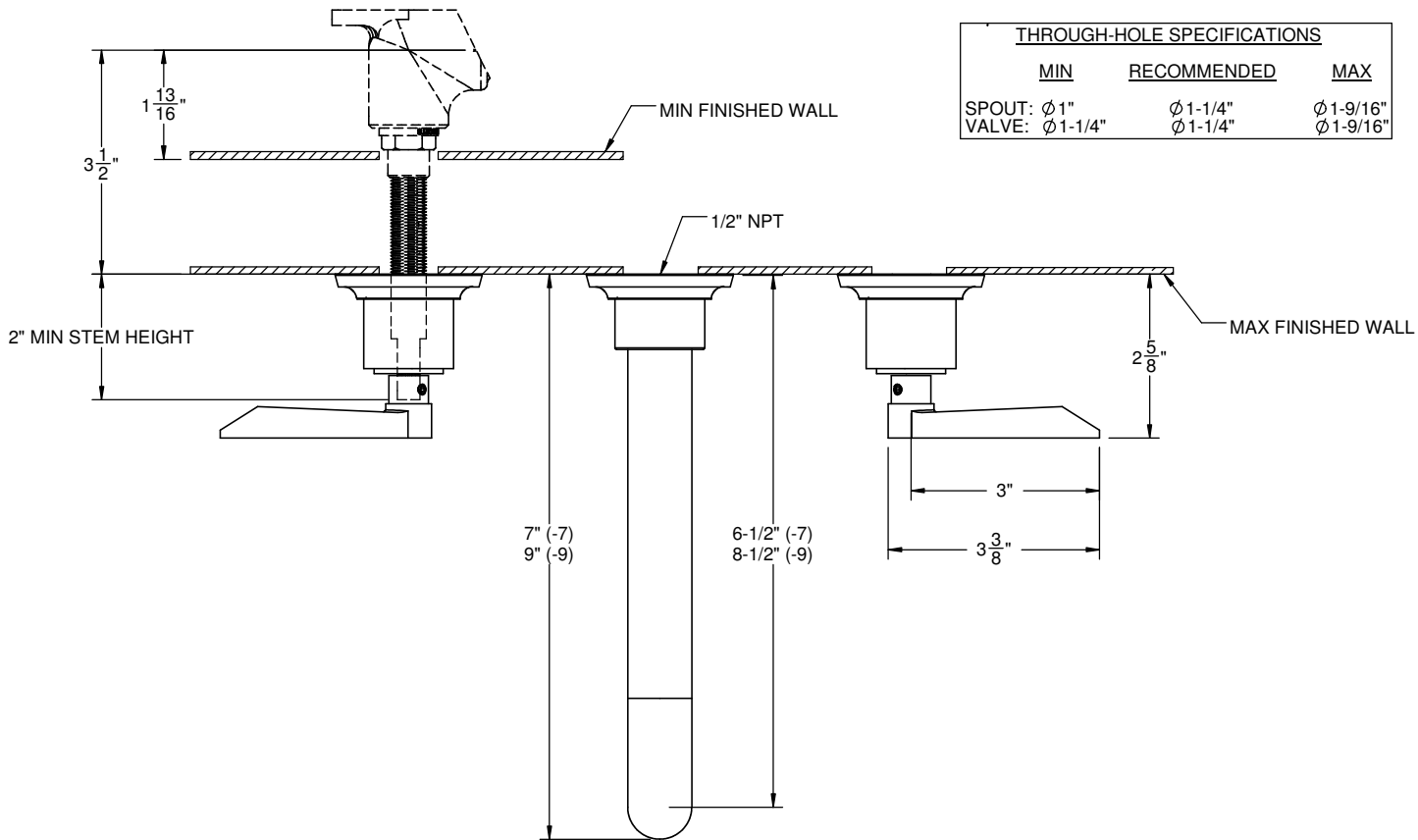
Product meets or exceeds the following:

- ASME A112.18.1/CSA B125.1
- NSF/ANSI 61 & NSF/ANSI 372
- CEC
- ADA compliant

## CF-TO-V4502-7/9



CF-TO-V4502-9 shown



ALL DIMENSIONS SHOWN TO NEAREST 1/16"