



California Faucets®

# MONTEREY™

## ROMAN TUB SET (TRIM ONLY)

### Features

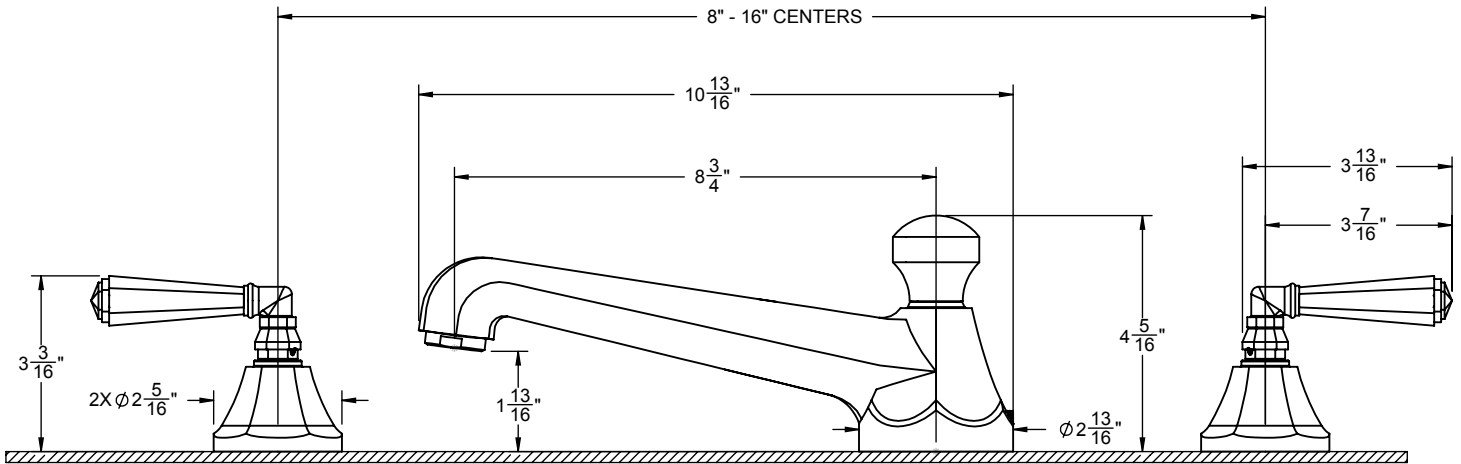
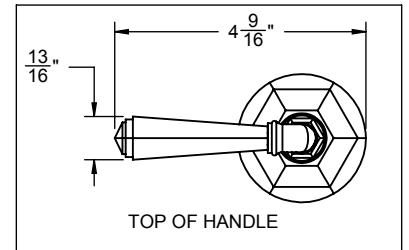
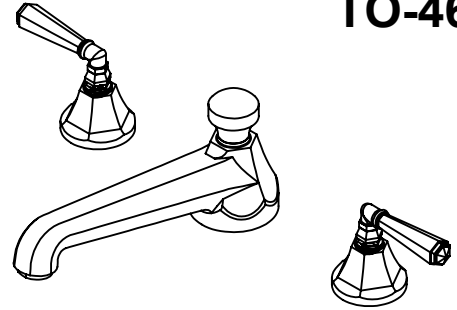
- Over 30 finishes including 15 PVD finishes
- Solid brass construction
- Maximum flow rate: 16 gpm (60.6 L/m)
- Requires Rough Valve: 08-75-99 (sold separately)

### Codes/Standards Applicable

Meets or exceeds the following at date of manufacture:

- ASME A112.18.2-2011/CSA B125.2-11
- ADA

## TO-4608



### THROUGH-HOLE SPECIFICATIONS

	MIN	RECOMENDED	MAX
SPOUT: $\phi 1-1/4$ "		$\phi 1-3/8$ "	$\phi 1-3/8$ "
VALVE: $\phi 1-1/4$ "		$\phi 1-3/8$ "	$\phi 1-1/2$ "

ALL DIMENSIONS SHOWN TO NEAREST 1/16"