


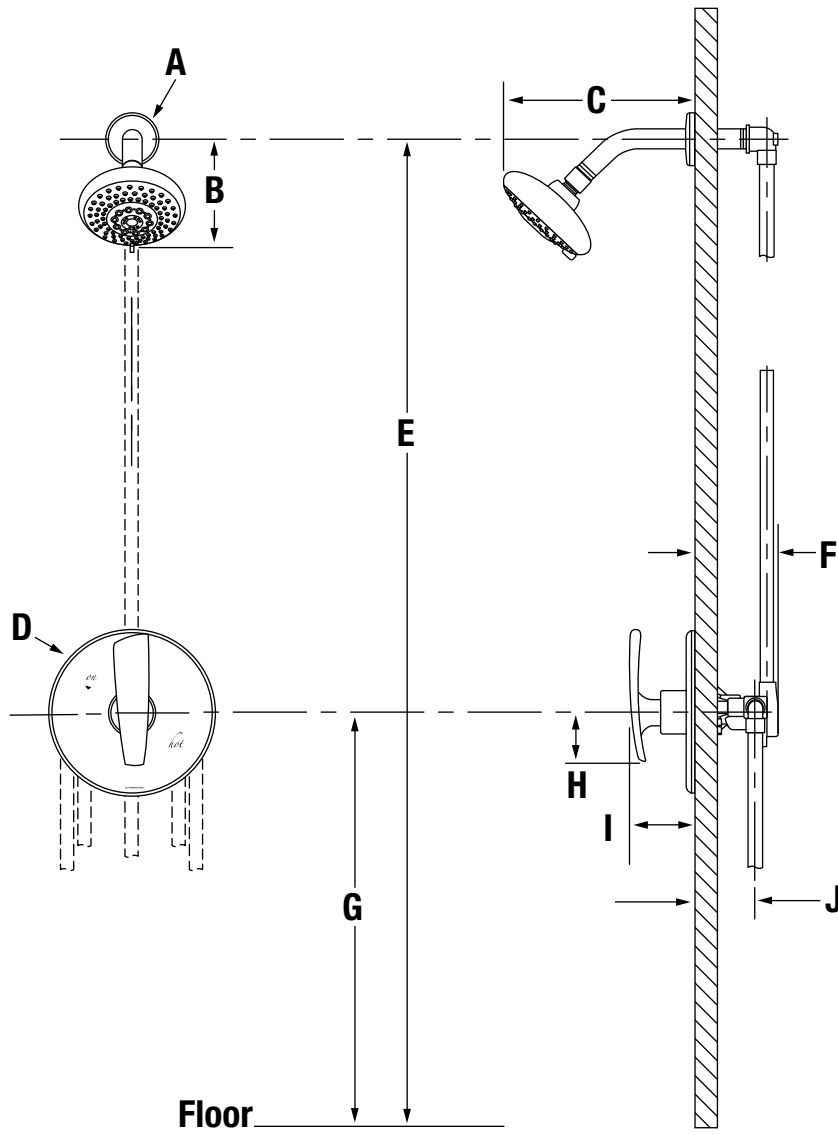


4100-TRM, 4101-TRM  
 Naru™ Trim Series  
**Operation & Maintenance Manual**

Model Numbers	Specifications
<input type="checkbox"/> <b>4100-TRM</b> <i>Valve Trim</i>  <input type="checkbox"/> <b>4101-TRM</b> <i>Shower Trim</i>	Shower trim includes shower escutcheon kit and 3 mode showerhead with standard 2.5 gpm (9.5 L/min) flow restrictor. Valve trim includes shower escutcheon kit only. Components made from metal and nonmetallic materials plated in standard polished chrome finish.
Modifications	Compliance
<input type="checkbox"/> <b>-1.5</b>  <i>1.5 gpm (5.7 L/min) flow restrictor</i> <input type="checkbox"/> <b>-2.0</b>  <i>2.0 gpm (7.6 L/min) flow restrictor</i> <input type="checkbox"/> <b>-412HSB</b> <i>30" slide bar in place of wall cradle on hand shower units</i>	-ASME A112.18.1; CSA B125.1  
<input type="checkbox"/> <b>-PNL</b> <i>Polished nickel finish</i> <input type="checkbox"/> <b>-STN</b> <i>Satin nickel finish</i>	<b>Warranty</b>  <b>Limited Lifetime</b> - to the original end purchaser in consumer installations. <b>5 Years</b> - for commercial installations.
Refer to <a href="http://www.symmons.com/warranty">www.symmons.com/warranty</a> for complete warranty information.	

**Note:** Append appropriate -suffix to model number.

## Dimensions

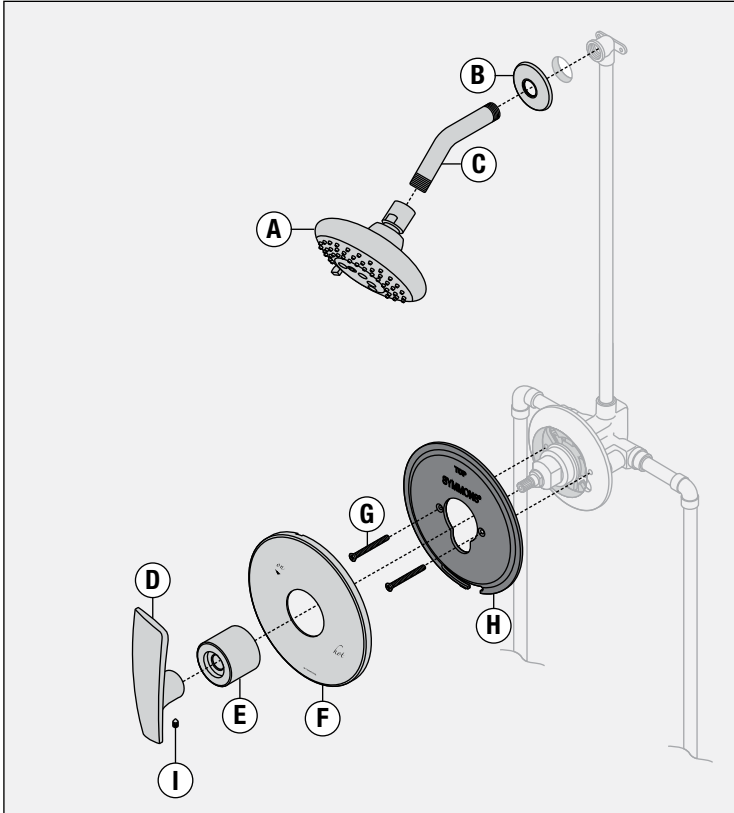


Measurements	
A	Ø 2 1/4", 57 mm
B	4 7/8", 124 mm
C	8 1/4", 210 mm
D	Ø 7 1/2", 191 mm
E	77", 1956 mm
F	3 1/2", 89 mm
G	42", 1067 mm
H	2 1/4", 57 mm
I	3", 76 mm
J	(Rough in) 2 3/8" ± 1/2", 60 mm ± 13 mm

### Notes:

- 1) All dimensions measured from nominal rough-in (see J as reference).
- 2) Dimensions are subject to change without notice.

## Parts Breakdown




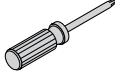


### Replacement Parts

Item	Description	Part Number
A	Showerhead	412SH
B	Flange	300
C	Shower Arm	
D	Handle	T-567
I	Set Screw	
E	Dome Cover	T-544
F	Shower Escutcheon	T-273-NS-K002
G	Mounting Screws	
H	Mounting Plate	

#### Note:

- 1) Append -PNL to part number for polished nickel finish; -STN for satin nickel.
- 2) Append -1.5 or -2.0 to showerhead for low flow.

### Required for Installation

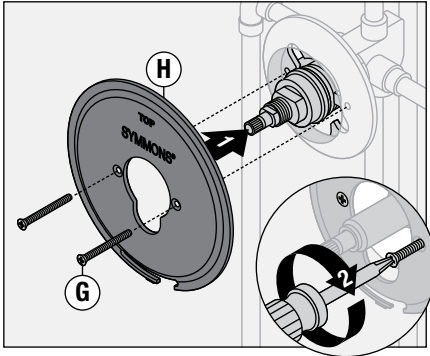
Adjustable wrench	
Phillips head screwdriver	
Allen wrench (3/16")	
Plumber tape	

## Installation

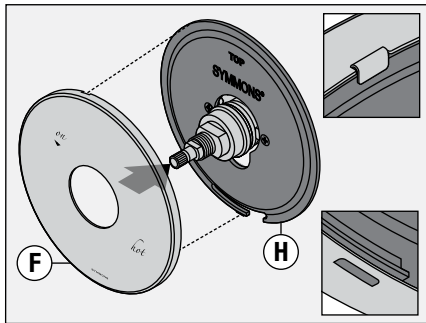
### Note:

For valve body installation, please see valve body installation guide.

- 1) Install large plastic mounting plate (H) to shower valve (4000-BODY). Secure with two screws (G).

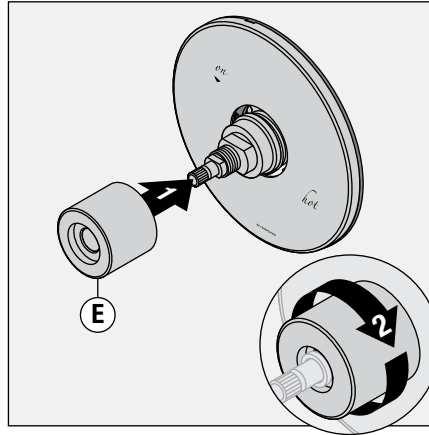


- 2) Attach shower escutcheon (F) to large plastic mounting plate (H).

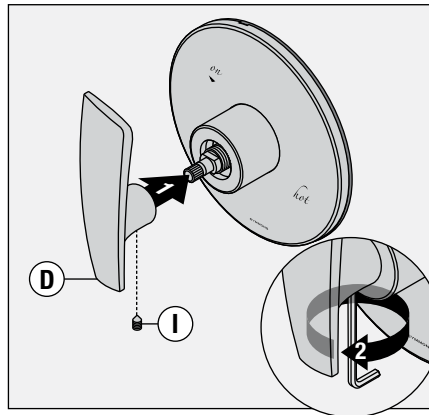


**Note:** Tabs should snap into place.

- 3) Install dome cover (E) to valve by turning clockwise.

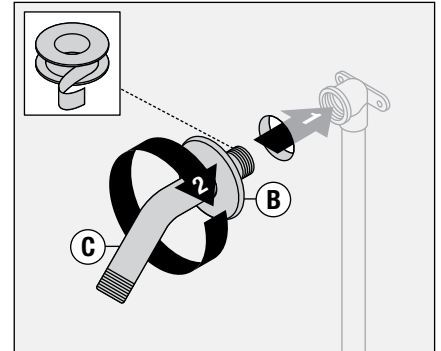


- 4) Install shower handle (D) to valve. Secure handle by tightening set screw (I).



**Note:** Handle should be facing the 12 o'clock position.

- 5) Attach shower arm (C) and flange (B) to vertical shower pipe turning clockwise to tighten.



- 6) Install showerhead (A) to shower arm (C) turning clockwise to tighten.

