




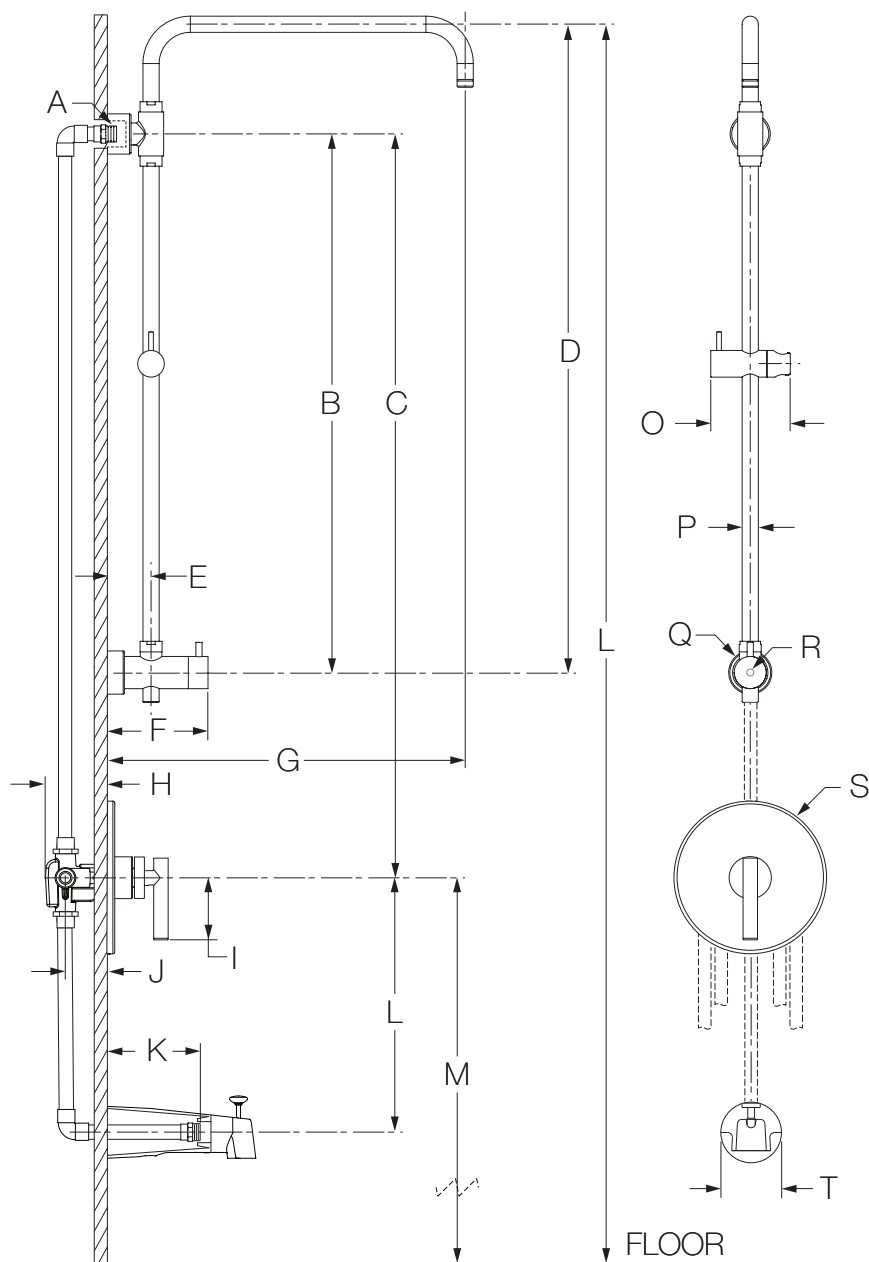
Location:



**3502-CYL-B-EX-L/HDL/HSTRM, 3502CYLBEXL3TRMTC
Tub/Shower/Hand Shower Trim with Exposed Shower Pipe
Specification Submittal**

Feature Highlights	Options/Modifications
<ul style="list-style-type: none"> • Dia Tub/Shower/Hand Shower Trim with Exposed Shower Pipe • Requires Temptrol® Pressure Balancing Tub/Shower Valve • Metal lever handle • 7" diverter tub spout • Diverter included for toggling between hand shower and showerhead • Includes column/slide bar and hand shower bracket • Hand shower not included • Showerhead not included • Components shall be metal and nonmetallic construction, plated in standard Polished Chrome finish • Available with TA-10 flow control spindle and T-12A cap assembly for Temptrol valve bodies installed with Test Cap (order p/n 3502CYLBEXL3TRMTC) • For optional in-line vacuum breaker order p/n EF-109 	<ul style="list-style-type: none"> <input type="checkbox"/> -1.5 CG 1.5 gpm (5.7 L/min) flow restrictor <input type="checkbox"/> -2.0 2.0 gpm (7.6 L/min) flow restrictor <input type="checkbox"/> -352SH 3" diameter, 1 mode showerhead <input type="checkbox"/> -352SH-3 3" diameter, 3 mode showerhead <input type="checkbox"/> -361SH 4" square, 1 mode showerhead <input type="checkbox"/> -361SH-6 6" square, 1 mode showerhead <input type="checkbox"/> -362SH 3" diameter, 1 mode showerhead <input type="checkbox"/> -4-161 9" diameter rain showerhead <input type="checkbox"/> -4-166 6" diameter rain showerhead <input type="checkbox"/> -402SH1 12" diameter rain showerhead <input type="checkbox"/> -422SH 6-1/2" square, 1 mode showerhead <input type="checkbox"/> -432SH 8" diameter, 1 mode showerhead <input type="checkbox"/> -511SH 5-3/4" diameter, 1 mode showerhead <input type="checkbox"/> -532SH 5-3/4" diameter, 1 mode showerhead <input type="checkbox"/> -72 72" hose in place of 60" hose <input type="checkbox"/> -ADACHS ADA hand shower wand (chrome) <input type="checkbox"/> -ADAHS ADA hand shower wand (white) <input type="checkbox"/> Delete Suffix B Chrome plastic escutcheon on valve with color graphic/indicators in place of standard brass escutcheon <input type="checkbox"/> -QD Quick-disconnect on hand shower units <input type="checkbox"/> -R 60" white vinyl hose in place of 60" metal hose <input type="checkbox"/> -T2 Alternative 361DTS, diverter square tub spout <input type="checkbox"/> -VB Elevated vacuum breaker <input type="checkbox"/> -VP Vandal resistant escutcheon screws in place of standard screws <input type="checkbox"/> -STN Satin Nickel finish <p>Note: Append appropriate -suffix to model number.</p>
<p>Model Numbers</p>	
<ul style="list-style-type: none"> <input type="checkbox"/> 3502-CYL-B-EX-L/HDL/HSTRM Tub/Shower/Hand Shower Trim with Exposed Shower Pipe, Temptrol Pressure Balancing Tub/Shower Valve ordered separately <input type="checkbox"/> 3502CYLBEXL3TRMTC Tub/Shower/Hand Shower Trim and Exposed Shower Pipe with TA-10 flow control spindle and T-12A cap assembly, must order Temptrol valve with Test Cap 	
<p>Compliance</p> <ul style="list-style-type: none"> • ASME A112.18.1/CSA B125.1 	
<p>Warranty</p> <p>Limited Lifetime - to the original end purchaser in consumer/residential installations. 5 Years - for industrial/commercial installations. Refer to www.symmons.com/warranty for complete warranty information. Go to www.symmons.com/register to register your Symmons product.</p>	

Dimensions



Important: If the distance for item C is less than 29" (737 mm), Exposed Shower Riser is not appropriate for your application.

Measurements

A	Male 1/2" NPT thread must protrude 1/2" (13 mm) from finished wall
B	22", 559 mm
C	For Shower Systems: Min. 29", 737 mm from centerline of shower output to valve For Tub/Shower Systems: Min. 29", 737 mm from centerline of shower output to valve
D	27-1/2", 699 mm
E	2-3/16", 55 mm
F	5-1/16", 128 mm
G	17-15/16", 456 mm
H	3-1/2", 89 mm
I	3", 76 mm
J	Rough-in 2-3/8" ± 1/2", 60 mm ± 13 mm
K	Male 1/2"-14 NPT fitting must protrude 5-1/2" (140 mm) from finished wall
L	Ref. 12", 305 mm
M	Ref. 32", 813 mm
N	Ref. 77", 1956 mm
O	4", 102 mm
P	Ø 13/16", 21 mm
Q	Ø 2-3/16", 56 mm
R	Hole Size Ø 5/16", 8 mm
S	Ø 7-1/2", 191 mm
T	2-1/2", 64 mm

Notes:

- 1) Valve body and piping not included and shown as reference only.
- 2) Plaster shield (p/n T-176) for dry wall, plaster or other type walls 1/2" or greater.
- 3) All dimensions measured from nominal rough-in (see J as reference).
- 4) Dimensions subject to change without notice.