

Location:



Dia®



Showerhead 352SH Specification Submittal

Feature Highlights

- Single mode, ball joint connection
- Standard flow rate is 2.5 gpm (9.5 L/min)
Optional lower flow rate restrictor available
- Polished Chrome finish (standard)

Model Numbers

- 352SH..... Showerhead

Standards / Certifications

- ASME A112.18.1/CSA B125.1
- WaterSense 2.0 gpm (7.6 L/min)
1.75 gpm (6.6 L/min)
1.5 gpm (5.7 L/min)



Options / Modifications

Append appropriate -suffix to model number

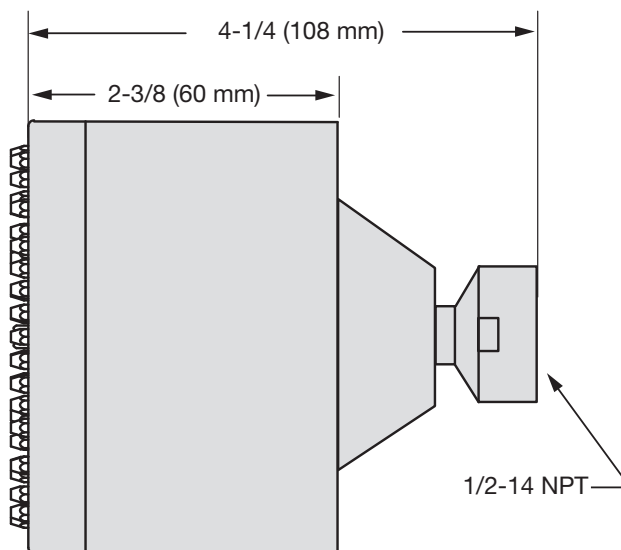
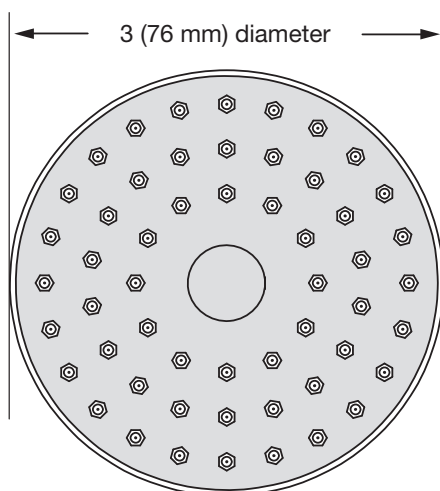
- 2.0 2.0 gpm (7.6 L/min) flow rate restrictor
- 1.75 1.75 gpm (6.6 L/min) flow rate restrictor
- 1.5 1.5 gpm (5.7 L/min) flow rate restrictor
- BBZ Brushed Bronze finish
- MB Matte Black finish
- STN Satin Nickel finish

Warranty

- Limited Lifetime - to the original end purchaser in consumer installations
- 5 years - for commercial installations

Dimensions Showerhead, 352SH

Symmons p/n, SH-01378



Note: Dimensions subject to change without notice.